

# SZG110 series of UFO led high bay light



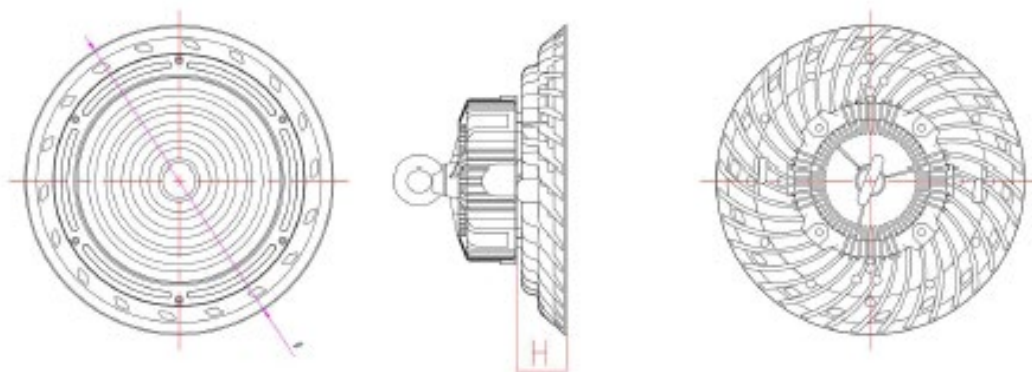
## Applications:

- plant, workshop, warehouse, etc.
- coal shed, cargo shed, logistics center, etc.
- convention and exhibition centre
- exhibition hall
- reception hall
- terminal waiting hall
- indoor sports venues

## Descriptions of performance:

brand of led chip	luminous efficacy of led chip	luminous efficacy of luminaire	wide input voltage	power efficiency	power factor
PHILIPS	210 lm/W	160 lm/W	90~305 Vac	≥94%	≥0.95
total harmonic distortion	surge lightning protection	beam angle	shell material	IP protection	
≤10%	6000 KV	90° / 130°	ADC12 die-cast aluminum	IP66	

## Product profile:



**Product details:**



finished aluminum substrate  
installation surface, rapid heat



ring lens with higher light efficiency

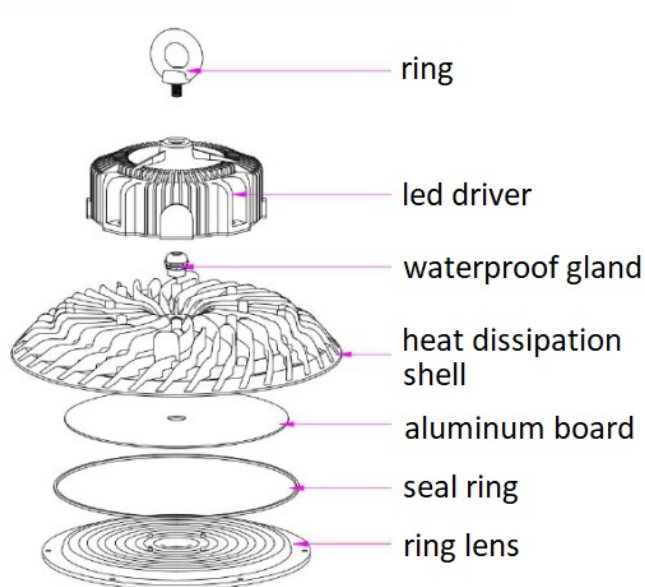


power efficiency: 94%  
luminous efficacy of luminaire: 155lm/W



precision die-casting of large-area aluminum

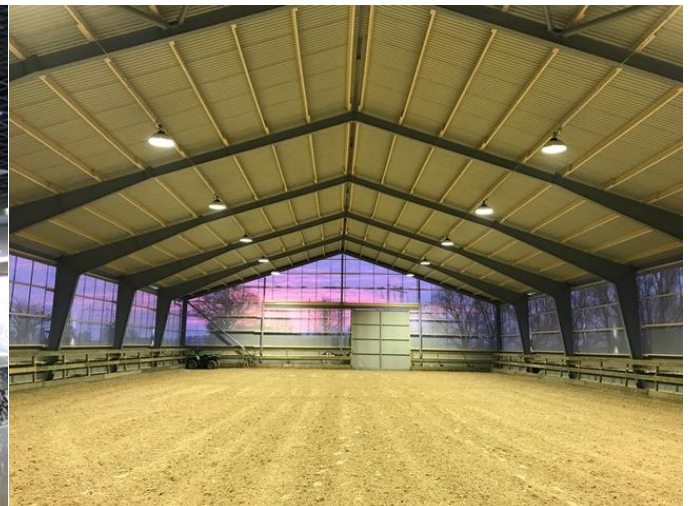
**Picture of explode product:**



## Technical parameters:

Parameter items	100W	150W	200W
Input voltage (V)	100-305Vac	100-305Vac	100-305Vac
Power efficiency	94%	94%	94%
Power factor	≥0.95	≥0.95	≥0.95
Surge lightning protection (V)	6000	6000	6000
Total harmonic distortion	≤10%	≤10%	≤10%
Quantity of led chip (pcs)	105	168	252
Luminous efficiency for led (lm/W)	210	210	210
Total luminous flux (lm)	20000±5%	30000±5%	40000±5%
Light efficiency for luminaire (lm/W)	160	160	160
Correlated color temperature (K)	3000-6500	3000-6500	3000-6500
Color rendering index (Ra)	≥75	≥75	≥75
Beam angle (°)	90° / 130°	90° / 130°	90° / 130°
LED lifespan (h)	≥100,000	≥100,000	≥100,000
Working temperature (°C)	-40~+50°C	-40~+50°C	-40~+50°C
IP protection	IP66	IP66	IP66
IK protection	IK08	IK08	IK08
Installation mode of led driver	external	external	external
Dimensions (mm)	φ 280*105	φ 330*105	φ 380*115
Weight (Kg)	2.0	2.5	3.5
Mounting mode	Ring/U-bracket	Ring/U-bracket	Ring/U-bracket
Warranty	5 year	5 year	5 year

**Note:** reflector optional



## Test report of luminous efficiency of led chip:

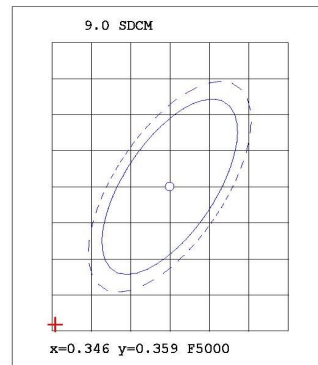
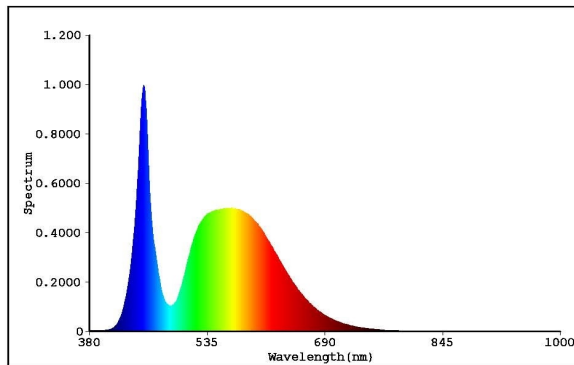
**EVERFINE** 远方

Test report

EVERFINE LEDspec Test Report

2 Of 4

### Spectrum Test Report



#### Color Parameters:

Chromaticity Coordinate(2Deg): $x=0.3314$   $y=0.3399$ / $u'=0.2066$   $v'=0.4768$   $duv=-1.324e-004$

Tc=5545K Dominant WL:Ld=536.9nm Purity=1.5%

Ratio:R=14.1% G=82.3% B=3.7% Peak WL:Lp=451.4nm HWL:19.7nm

Render Index:Ra=75.7

R1 =74.64      R2 =79.78      R3 =80.99      R4 =76.68      R5 =74.83

R6 =71.19      R7 =83.59      R8 =63.76      R9 =-11.12      R10=49.49

R11=73.52      R12=44.41      R13=75.32      R14=89.03      R15=71.15

TM30 Parameters: Rf = 72.8, Rg:94.9

#### Photo Parameters:

Flux = 143.7 lm    Eff. : 208.44 lm/W    Fe = 440.0 mW

#### Electrical parameters:

VF = 5.750 V      IF = 119.9 mA      P = 689.4 mW Ch1

LEVEL:\*\* [OUT]      WHITE:ANSI\_5700K

Status: T=140.00ms Ip=47130 (72%) [ HAAS1200\_V1\_USB ] V2.00.288

Model:120MA  
 Tester:D.U.01.0151 24V  
 Temperature:25.3Deg  
 Manufactory:EVERFINE  
 Assessor:damin  
 System:WY + HAAS1200\_V1\_USB

Number:3  
 Date:2021-06-05 16-40  
 Humidity:65.0%  
 Remarks:---